

2025



just play

Accessórios

+

Spare Parts



Charger X-Peak 80 V2
No. 153059

Highlights:

- Dual Power Built-in AC Adapter 230V and 11 - 18V
- Internal independent lithium battery balancer
- Individually balanced battery discharge
- Fast and storage model for various type of battery
- Maximum safety
- Automatic charging current limit
- Input power monitoring
- Capacity limit
- Processing time limit
- Load capacity display
- Supports Lithium, NiMh, NiCd and Lead battery packs
- 5 memory locations
- Active fan

Technical data:

Input	AC 100 - 240V; 50Hz; 0,84 - 0,35A; 84W DC 11 - 18,0V; 5 - 7,2 - 4,55A; 80W
Output	LiIon/LiPo/LiFePo: 1 - 6 NiCd/NiMH: 1 - 15 Pb 2V- 20V
Charging current	max. 80W, 0,1- 6,0A
Discharge current	max. 10W, 0,1- 2,0A
Balance current	300mAh/cell
Dimensions	~136 x 113 x 63 mm
Weight	~639 g

Recommended Accessories:

Temperature sensor, Ord. No. 153057

Box content:

- Charger
- Charging lead: BEC, Tamiya, LiPo high-current plug, Crocodile clips, Balancer board 12V for power supply, Supply cable, Power cable
- Instructions



1. Charger „Charge Cell“
Ord. No. 153080

Charger in blister pack

Features:

- To charge rechargeable batteries: AA, AAA, NiMH
- Always charge 2 or 4 batteries of the same size and capacity with same charge status at the same time.
- Automatic cut-off

Technical data:

Input: 100 - 240V AC 50/60Hz 80mA
Output: 2,4 VDC 200mA x 2,1W

Box content:

- Charger



2. Charger „Charge Cell“
Ord. No. 153084

Charger incl. 4 x AA 1,2V

Features:

- To charge rechargeable batteries: AA, AAA, NiMH
- Always charge 2 or 4 batteries of the same size and capacity with same charge status at the same time.
- Automatic cut-off

Technical data:

Input: 100 - 240V AC 50/60Hz 80mA
Output: 2,4V DC 200mA x 2,1W

Box content:

- Charger
- 4 x rechargeable batteries NiMh 1,2V 2400mAh



3. Charger „Charge Cell“
Ord. No. 153085

Charger incl. 6 x AA 1,2V

Features:

- To charge rechargeable batteries: AA, AAA, NiMH
- Always charge 2 or 4 batteries of the same size and capacity with same charge status at the same time.
- Automatic cut-off

Technical data:

Input: 100 - 240V AC 50/60Hz 80mA
Output: 2,4V DC 200mA x 2,1W

Box content:

- Charger
- 6 x rechargeable batteries NiMh 1,2V 2400mAh



4. Charger LiPo 20 2S/3S
Ord. No. 413117

with integrated balancer

Technical data:

Input: AC 100 - 240V
50/60Hz | 25W
Output: 8,4V (2S 7,4V) / 12,6V (3S 11,1V)
Battery types/Cells: LiPo / 2S 7,4V; 3S 11,1V
Charging current: 1,6A | 20W

Box content:

- Charger with integrated balancer
- Instructions



This Racing Pack
(has exactly the same dimensions as a 6 Cell NiMH or NiCd Racing Pack)

Battery pack LiPo-Racing
No. 141390
No. 141391 Tam plug

7,4 V5000mAh 2 N 30 C, 60 Burst
in hardcase and round outer edges

- To replace a 6 cell NiMH pack
- With Balancer Plug
- Cable exits at rear

141390 ~ 135 x 46 x 24 mm | 218 g
141391 ~ 135 x 47 x 24 mm | 206 g



LiPo Guard - Fire Proof Bag
Ord. No. 141360 ~ 230 x 180 mm
Ord. No. 141430 ~ 300 x 230 mm

Prevent fire damage when charging LiPo, LiFe and other battery packs.



Lead acid battery
No. 412303 6V 4,5Ah

Dimensions ~ 70 x 48 x 105 mm
for E-Trike



Lead acid battery
No. 404620 6V 7Ah

Dimensions ~150 x 35 x 100 mm
for Ride On Car



Lead acid battery
No. 412593 12V 7Ah

Dimensions ~150 x 65 x 100 mm
for Quad

Ord. No. 412620 12V 4,5Ah

Dimensions ~92 x 70 x 105 mm
for Ride-on



Battery Mignon 2400
No. 141018 1,2V 2400mAh - AA HR6

JAMARA Mignon 2400 is a high-power rechargeable battery for all devices with high energy consumption. The pre-charged AA cells are equipped with a technology reducing self discharge. The battery is ready to use, even after a long period of stand-by. This battery can be recharged in all common battery chargers, and is ideally suitable for use in speedlights, cameras, remotes, toys etc.



Micro Dry Cell Batteries Super Cell AAA 1,5V 1000mAh
No. 140280 4 pieces, Carton: 8 pieces

Mignon Dry Cell Batteries Super Cell AA 1,5V 2300 mAh
Ord. No. 140267 4 pieces, Carton: 12 pieces
Ord. No. 140265 5 pieces, Carton: 10 pieces
Ord. No. 140268 6 pieces, Carton: 8 pieces
Ord. No. 140269 1 piece, Carton: 48 pieces



CAMARA

FullHDPROV2

action CAM

water proof 30m

16 MP Camera



2 inch LCD colour display



Photo/video function
controllable
via Smartphone



Camara Full HD Pro Wifi V2
No. 177891 white

Technical data:

- Photo and video function
- Built-in microphone
- Video format: 1080 P 30 FPS, 720 P 120 FPS, 720 P 60 FPS, 720 P 30 FPS
- Wi-Fi (iOS App / Android Download)
- Photo format: 16 MP / 12 / MP / 8 MP / 5 MP / 2 MP
- Supports Micro SD memory cards up to 64 GB Class10
- Wide angle lens 170°
- Waterproof up to 30 m with housing
- 2 inch LCD colour display
- Different Languages
- Menu language in German
- Input/Output: Micro USB / HDMI
- Exposure Compensation -2.0+ +2.0

Technical data:

- Dimensions: 84 x 55 x 86 mm
- Weight: 391 g

Box content:

- Camera
- Charger
- Replaceable battery Li-Ion 900mAh
- Water / Shock-proof plastic housing
- Handlebar Mount
- Bracket for side mounting
- Microfiber cloth
- Quick-Clip
- USB cable
- 3M adhesive pads
- Cable ties
- Fuse Wire
- Instructions

DIGITAL PROPORTIONAL RADIO CONTROL SYSTEM
3 CHANNEL

CCX PRO



Fail-Safe
included

Transmitter CCX Pro 2,4GHz
No. 061200

This system sets new standards in the RC car sector. We have adopted the proven radio technology on 2.4GHz basis of our CCX. A huge display and easy programming round out this transmitter. The CCX Pro 3-channel remote control system from JAMARA offers many setting options, which can be conveniently changed via the function keys and the setting wheel and read on the blue illuminated LCD display. The steering angle and the servo travel on the throttle are adjustable (dual rate). The chrome steering wheel with foam rubber grip surface allows precise Control.

Highlights:

- 2,4GHz System • 3 channel fully programmable • Dual Rate
- Servo reverse • Adjustment of servo centre • Servo end point adjustment
- Programmable Fail-Safe on the receiver • 1024 display resolution
- 100mW Frequency hopper • 10 model memory • Adjustable Expo
- 3 stage ABS setting • Programming by Jog/Dial wheel
- Display backlight
- Voltage indicator with audible low voltage warning
- Compatible with CCX receivers
- 3,5mm jack and simulator connection
- Display size: 100 x 35 mm
- Charging socket

Technical data:

Dimensions ~197 x 127 x 158 mm
Weight ~400 g

Box content: • Transmitter 2,4GHz • Receiver 2,4GHz • Instructions

Required accessories: 8 x AA Batteries, Ord. No. 140267 (4 pieces)

Receiver CCX Pro 2,4GHz

Ord. No. 061185

Technical data:

Frequency 2,4GHz
Modulation AFHDS
Operating voltage 4,8 - 7,4V DC
Servo resolution 10 Bit (1024 steps)
Dimensions ~37 x 22 x 13 mm
Weight ~8 g



3 CHANNEL

COMPA

2,4GHZ Digital Proportional System

XR3

330100



330101



Fail-Safe included



Transmitter Compa XR3 2,4GHz No. 330100

The Compa XR3 3-channel radio control system from JAMARA offers a number of highlights, which make it an excellent choice in the RC car sector. We have adopted the proven professional 2.4GHz radio technology, thus ensuring a reliable and stable radio connection. With 3 channels and the dual rate function for throttle and steering, you can precisely adjust the control of your vehicle. The servo reverse function allows you to quickly change the direction of travel, while the servo centre adjustment ensures perfect alignment. The GFSK modulation mode is an advanced technology that provides better signal transmission. The Compa XR3 also supports various model types such as cars and boats and is designed for a temperature range of -10 to +40°C. The operating voltage is provided by 4 AA batteries and the low voltage warning helps you to change the batteries in time. The supplied receiver also has a fail-safe system for throttle and steering, which ensures control of the vehicle in the event of a loss of signal. The box content includes the remote control and receiver as well as instructions. The required batteries (4 x AA) are not included (item no. 140267, pack of 4 pcs.).

Highlights:

- 2,4GHz System
- 3 channel
- Dual Rate (Throttle/steering)
- Servo reverse
- Adjustment of servo centre
- Modulation GFSK
- Model types car, boat
- Temperature range - 10 to + 40° C
- Operating range 4,8 - 6V
- Low-Voltage warning
- Fail Safe on receiver (throttle and steering)
- Receiver antenna length approx. 14 cm

Technical data:

Dimensions 200 x 155 x 95 mm
Weight 274 g

Box content:

- Transmitter 2,4GHz
- Receiver 2,4GHz
- Instructions

Required Accessories:

4 x AA Batteries, Ord. No. 140267 (4 pieces)

Receiver Compa XR3 2,4GHz No. 330101

Technical data:

Frequency	2,4GHz
Modulation	GFSK
Operating voltage	4,5 - 7,4 V DC
Dimensions	32 x 20 x 12 mm
Weight	6 g





Body clips Z18
No. 505401 1/18

4 pieces



LED Spotlight
No. 505284 Ø 19 mm

Left & Right pin-through mounting e.g. for impact protection & tube frame.

Function: Continuous light 4 LEDs
Done with connection cable.
Total length: 320 mm



Alu wheel nuts for 1:10 cars
No. 505385

Ø external 12 mm
Ø bore 5 mm
4 pieces



Ball Bearing for bell crank
No. 070806

5 x 10 x 4 mm



Wheel adapter 17/12 mm
No. 503558 Alu, 2 pieces

1:8 wheels to 1:10 vehicles

Highlights:

- Anodised Aluminium
- CNC machined
- Fits our 1:10th scale cars with 12 mm wheel nuts

Box content:

- 2 Wheel Adapter
- 2 Wheel Nuts small
- 2 Wheel Nuts large

Attention! A higher wheel circumference might result in a higher wear of the gears. Changes to the gear transmission ratio and steering in regards to the body and chassis might be required.



Controller CR40EP Lipo Waterproof
No. 081449

Technical data:

Operating Voltage	7,2 - 11,1V
Battery Pack	2 - 3 Lipo 5 - 9 NiCd/NiMh
Internal Resistance	Fwd: 0.002 Ohm, Bwd: 0.004 Ohm
BEC Voltage	BEC 2A/6V (Linear mode BEC)
Intended use	RC-Car 1:10
Protection Circuit	Under voltage cut off
Continuous load	40A
Size	~35 x 29 x 47 mm
Weight	~64 g



Edge protection for car bodies and canopies

No. 052230 black, 1 m
No. 052231 black, 10 m

The possible field of application are outside edges of car bodies, metal sheets, plastics, glass plates etc.. This edge protector (in U-profile form) has an external dimension of 3.5 x 5mm. The clamping range covers material thicknesses from 0.1 - 2mm. The material is very soft and flexible, so it can be placed around any tight curve. It can be used to refine sharp or awkwardly shaped edges, providing protection against accidental tearing and allowing otherwise sharp edges to be touched without danger. The profile has the color Signal Black Matt similar to RAL color chart 9004. The formulation is Pb and Cd free and contains no plasticizers. For fixation, it is recommended to apply a drop of superglue in some places, this fixes the edge protector even in problematic places such as wheel arches and acute angles.



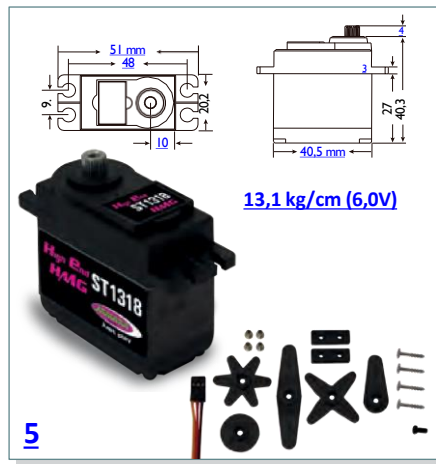
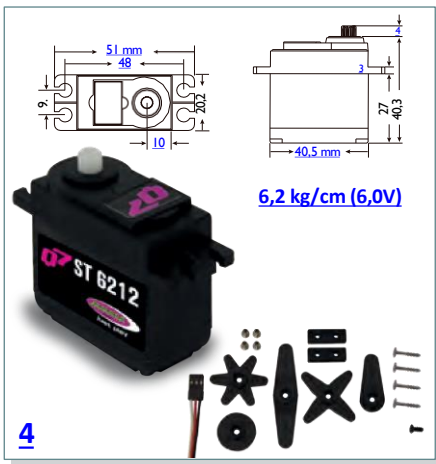
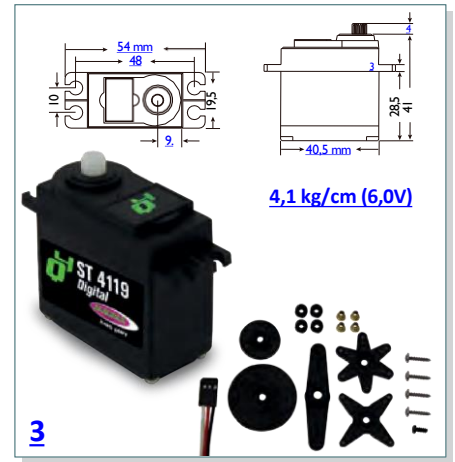
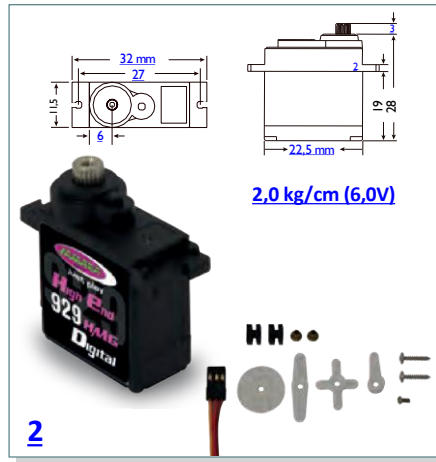
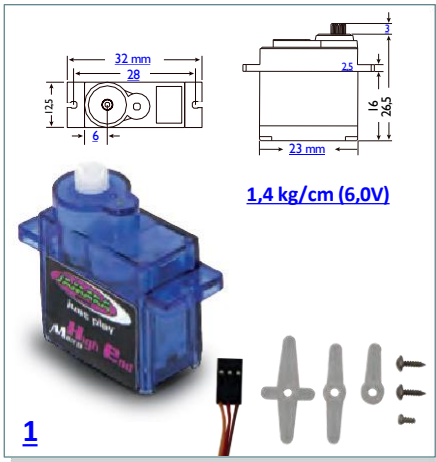
Stop nuts
Ord. No. 177444 M4

10 pieces



Spare rubber bands for electric starter
Ord. No. 177514

Spinner cup diameter 65 mm



Ord. No.		Weight g	Dimensionis mm	Cable length in mm	Nominal tension	max. Current consumption
1. 033212	Servo High End Micro	~12	~23 x 12,5 x 26,5	260	4,8V - 6V	600mA (4,8V) / 750mA (6,0V)
2. 074420	Servo High End 929HMG Digital	~14	~22,5 x 11,5 x 28	212	4,8V - 6V	650mA (4,8V) / 730mA (6,0V)
3. 033217	Servo Q4 ST4119 Digital	~37	~40,5 x 19,5 x 41	300	4,8V - 6V	820mA (4,8V) / 1000mA (6,0V)
4. 033215	Servo Q7 ST6212	~48	~40,5 x 20,2 x 40,3	260	4,8V - 6V	1000mA (4,8V) / 1300mA (6,0V)
5. 033216	Servo High End ST1318HMG	~55	~40,5 x 20,2 x 40,3	260	4,8V - 6V	700mA (4,8V) / 900mA (6,0V)

Ord. No.	Torque kg	Transit time	Servo control lever	Digital	Ball bearing	Gear
1. 033212	1,2 kg/cm (4,8V) 1,4 kg/cm (6,0V)	0,11 Sec./60° (4,8V) 0,09 Sec./60° (6,0V)	20 T	-	-	Plastic
2. 074420	1,7 kg/cm (4,8V) 2,0 kg/cm (6,0V)	0,13 Sec./60° (4,8V) 0,11 Sec./60° (6,0V)	21 T	✓	✓	Metal
3. 033217	3,2 kg/cm (4,8V) 4,1 kg/cm (6,0V)	0,23 Sec./60° (4,8V) 0,19 Sec./60° (6,0V)	25 T Futaba	✓	-	Plastic
4. 033215	5,6 kg/cm (4,8V) 6,2 kg/cm (6,0V)	0,14 Sec./60° (4,8V) 0,12 Sec./60° (6,0V)	25 T Futaba	-	✓	Plastic
5. 033216	11,8 kg/cm (4,8V) 13,1 kg/cm (6,0V)	0,20 Sec./60° (4,8V) 0,18 Sec./60° (6,0V)	25 T Futaba	-	✓	Metal

The Jamara servos are used in professional model making as well as in industrial applications and automation and are suitable as learning aids and test setups.



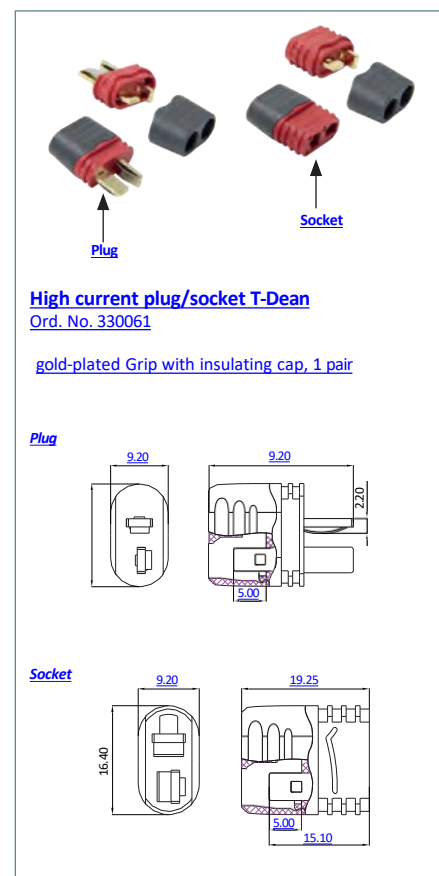
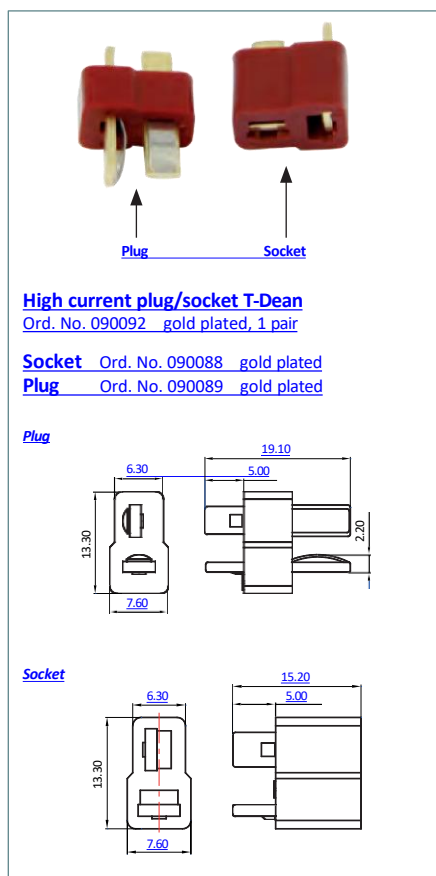
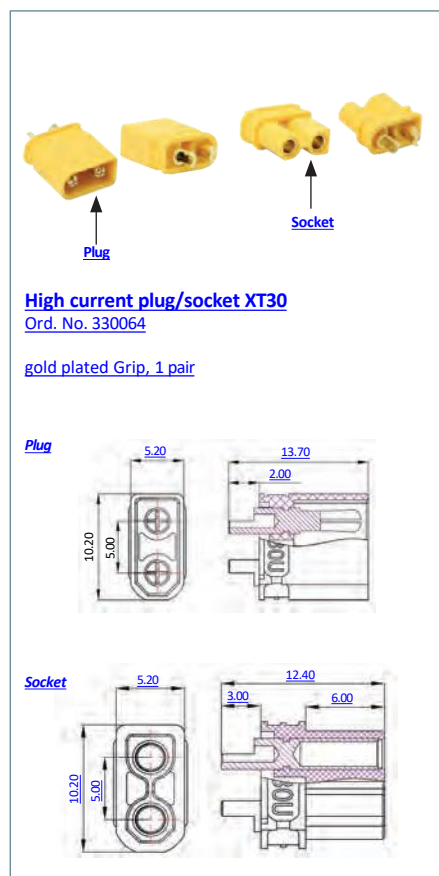
Servo/controller tester CCPM Mini
Ord. No. 090030

Technical data:

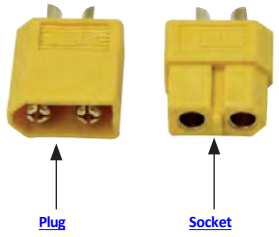
Tension 4,8 - 7,4V
Diemions ~45 x 30 x 31 mm
Weight ~8,2 g
Mode Manual, neutral position, automatic (wipers)
Outputs For up to 3 servos or controllers

Features:

- Small and handy
- 3 modes
- 3 servos can be connected simultaneously
- Controller programming possible without remote control
- Can be used as signal transmitter for electrical control (ESC)



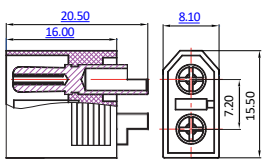
Ord. No.	330064	090092	330061	090115	330060	330065
Connector	Plug + Socket	Plug + Socket	Plug + Socket	Plug + Socket	Plug + Socket	Plug + Socket
Connector type	for DC power supply	for DC power supply	for DC power supply	for DC power supply	for DC power supply	for DC power supply
Connector series	XT30	T-Dean	T-Dean	XT60	XT60	XT60
Typical use	Battery/rechargeable battery connections	Battery/rechargeable battery connections	Battery/rechargeable battery connections	Battery/rechargeable battery connections	Battery/rechargeable battery connections	Battery/rechargeable battery connections
Number of poles	2	2	2	2	2	2
Mechanical assembly	for cable assemblies	for cable assemblies	for cable assemblies	for cable assemblies	for cable assemblies	Flange (2 openings), for front panels, for cable assemblies
Electrical assembly	Soldering	Soldering	Soldering	Soldering	Soldering	Soldering
Contact coating	gold-plated	gold-plated	gold-plated	gold-plated	gold-plated	gold-plated
Colour	yellow	red	red/grey	yellow	yellow/grey	yellow/grey
Rated current	15 A	25 A	25 A	30 A	30 A	30 A
Maximum current short term	30 A	50 A	50 A	60 A	60 A	60 A
Rated resistance	0.65 mΩ	0.45 mΩ	0.45 mΩ	0.50 mΩ	0.50 mΩ	0.50 mΩ
Flammability class	UL94V-0	UL94V-0	UL94V-0	UL94V-0	UL94V-0	UL94V-0
Operating temperature	-20...120°C	-20...120°C	-20...120°C	-20...120°C	-20...120°C	-20...120°C
Rated voltage	500 V	500 V	500 V	500 V	500 V	500 V
Contact material	Brass	Brass	Brass	Brass	Brass	Brass
Mechanical durability	1000 cycles	1000 cycles	1000 cycles	1000 cycles	1000 cycles	1000 cycles
Housing material	Polyamide	Polyamide	Polyamide	Polyamide	Polyamide	Polyamide
Max. Wire cross-section	18AWG / 2.5 mm ²	12AWG / 4 mm ²	12AWG / 4 mm ²	12AWG / 4 mm ²	12AWG / 4 mm ²	12AWG / 4 mm ²



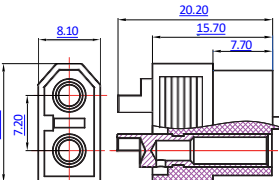
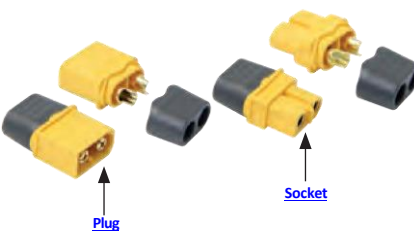
High current plug/socket XT60
Ord. No. 090115

gold plated Grip, 1 pair

Plug



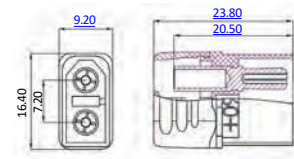
Socket

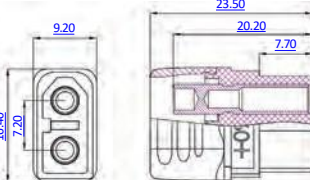

High current plug/socket XT60
Ord. No. 330060

gold-plated Grip with insulating cap, 1 pair

Plug



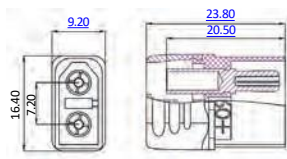
Socket

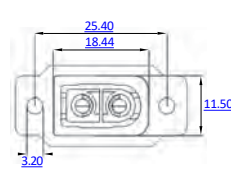
Built-in socket/plug XT60
Ord. No. 330065

gold-plated Grip with locking and insulating cap, 1 pair

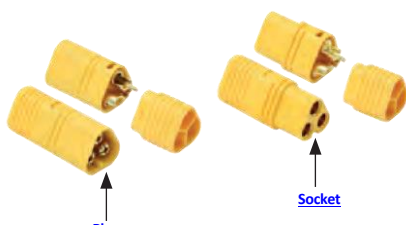
Plug



Socket



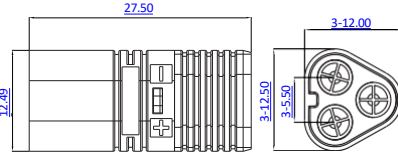
330062	330063
Plug + Socket	Plug + Socket
for DC power supply	for DC power supply
MT60	XT90
Battery/rechargeable battery connections	Battery/rechargeable battery connections
3	2
for cable assemblies	for cable assemblies
Soldering	Soldering
gold-plated	gold-plated
yellow	yellow
30 A	45 A
60 A	90 A
0.45 mΩ	0.30 mΩ
UL94V-0	UL94V-0
-20...120°C	-20...120°C
500 V	500 V
Brass	Brass
1000 cycles	1000 cycles
Polyamide	Polyamide
12AWG / 4 mm ²	10AWG / 6 mm ²



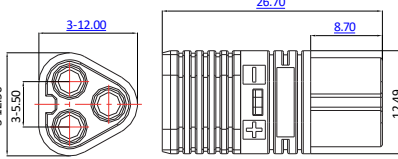
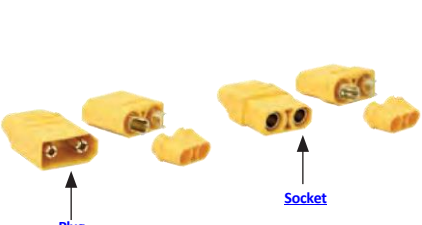
High current plug/socket MT60
Ord. No. 330062

gold-plated Grip with insulating cap, 1 pair

Plug



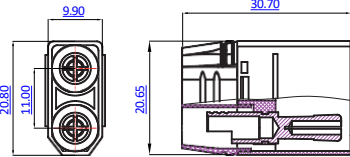
Socket

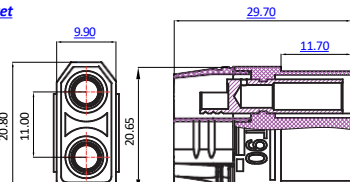
High current plug/socket XT90
Ord. No. 330063

gold-plated Grip with insulating cap, 1 pair

Plug

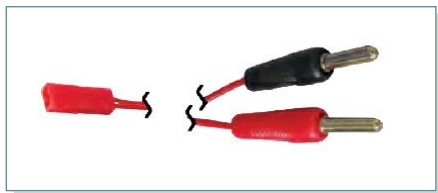


Socket



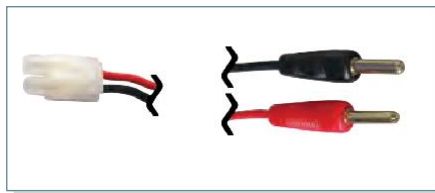
The designation plug or socket is not based on the design of the plug connection, but always refers to the electrical contacts.

ACCESSORIES



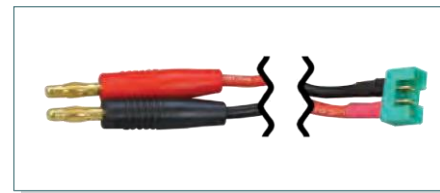
BEC charging lead with banana plug
Ord. No. 091114

Length- 290 mm



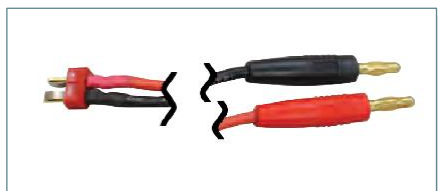
Tam charging lead
Ord. No. 332051

Length- 300 mm



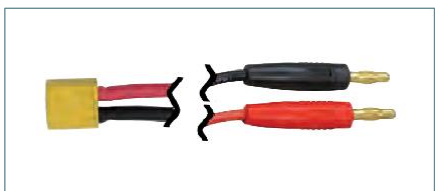
Charging lead MPX Deluxe
Ord. No. 332057

Length- 340 mm, AWG 14



Charging lead Lipo Deluxe - T-Dean
Ord. No. 332058

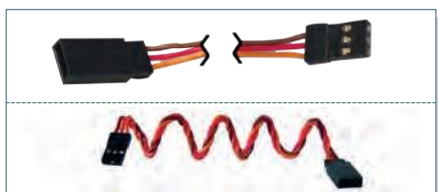
Length- 340 mm, AWG 14



Charging lead XT60
Ord. No. 332059



Adapter cable Tam / LiPo jack
Ord. No. 090150

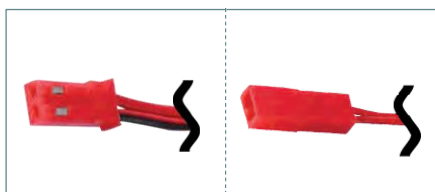


Extension lead JR
Ord. No. 098223

Ø mm 0,14, Length- 500 mm

Extension lead JR
Ord. No. 098296

0,25 mm² drilled gold contact 50 cm



BEC socket lead

Ord. No. 091116 0,25 mm x 90 mm
Ord. No. 091113 0,25 mm x 190 mm
Ord. No. 091111 0,34 mm x 120 mm

BEC plug lead

Ord. No. 091110 0,25 mm x 90 mm
Ord. No. 091105 0,25 mm x 190 mm
Ord. No. 091118 0,34 mm x 120 mm



BEC lead set socket + plug
Ord. No. 091112

Content:

BEC plug lead, 0,25mm² x 90 mm, silver
Ord. No. 091110
BEC socket lead, 0,25mm² x 90 mm, silver
Ord. No. 091116



Lead

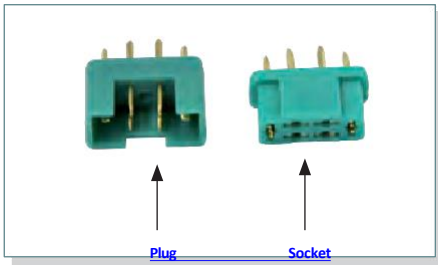
Connection	Dimensions	Type	Length	Ord. No.
JR	3 x 0,14 mm	flat	~10 m	098019
JR	3 x 0,14 mm	flat	~100 m	098020
JR	3 x 0,25 mm	twistet	~10 m	098041
JR	3 x 0,25 mm	twistet	~100 m	098043
JR	3 x 0,25 mm	flat	~10 m	098024
JR	3 x 0,25 mm	flat	~100 m	098027
JR	3 x 0,50 mm	twistet	~10 m	098066
JR	3 x 0,50 mm	twistet	~100 m	098063
Futaba	2 x 0,25 mm	flat	~100 m	098053
Futaba	2 x 0,25 mm	flat	~10 m	098055



Silicone leads

Ø	Colour	Length	Ord. No.	
0,75 qmm	red, black	2 x 2 m	099987	24 x 0,20
0,75 qmm	red	~10 m	099929	
0,75 qmm	black	~10 m	099939	
0,75 qmm	red	~100 m	099995	
0,75 qmm	black	~100 m	099997	
1,5 qmm	red, black	~2 x 2 m	099921	30 x 0,25
1,5 qmm	black	~10 m	099902	
1,5 qmm	red	~10 m	099904	
1,5 qmm	black	~100 m	099940	
1,5 qmm	red	~100 m	099930	
2,5 qmm	red, black	2 x 2 m	099924	50 x 0,25
2,5 qmm	black	~10 m	099200	
2,5 qmm	red	~10 m	099210	
2,5 qmm	black	~100 m	099912	
2,5 qmm	red	~100 m	099100	
4,0 qmm	red, black	2 x 2 m	099931	56 x 0,30
4,0 qmm	black	~10 m	099972	
4,0 qmm	red	~10 m	099974	
4,0 qmm	black	~100 m	099960	
4,0 qmm	red	~100 m	099970	

ACCESSORIES



High current plug/socket MPX
Ord. No. 090101 gold plated, 1 pair

Socket MPX
Ord. No. 090097 gold plated

Plug MPX
Ord. No. 090098 gold plated



Gold contacts 4mm
Ord. No. 095638

Plug/socket special, 1 pair



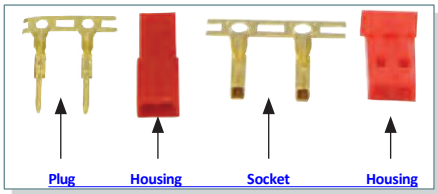
Gold contacts 4 mm
Ord. No. 095666 Plug
Ord. No. 095667 Socket



Plug kit gold
Ord. No. 098354 1 pcs. Futaba
Ord. No. 098355 3 pcs. Futaba
Ord. No. 098356 3 pcs. JR

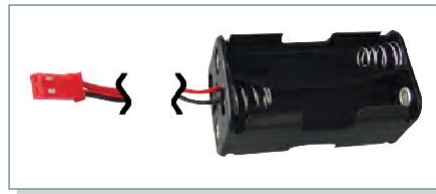


Female kit gold
Ord. No. 098313 1 pcs. JR



Servo plug Set
Ord. No. 091107

Servo socket Set
Ord. No. 091108



BEC switch harness
Ord. No. 090015

Length- 100 mm

NITRO STARTER-SET



Nitro Starter Set Uni Pro
Ord. No. 055800

The perfect set for anyone starting out in the exciting world of radio controlled cars. Every tool parts that you need to start your R/C car's internal combustion (glow plug) engine is included in this set. All of the items are matched to each other and the set is suitable for I/C engines of all sizes.

- Box content:**
 2 Screw Drivers
 2 Bow Wrench for 8 different sized bolts
 1 Glow Plug Driver with integrated rech. battery
 1 Charger
 1 Filling Bottle

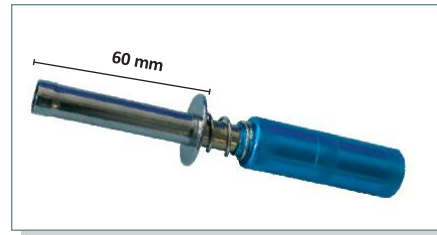
ACCESSORIES



Glow Plug Rossi

Ord. No. 176901	R1	extra hot	0,8 - 2 ccm
Ord. No. 176902	R2	hot	2 - 3,5 ccm
Ord. No. 176903	R3	middle	3,5 - 6 ccm
Ord. No. 176904	R4	cold	6 - 10 ccm
Ord. No. 176905	R5	cold	

for fuel with high content of Nitro



Glow Starter Mini Blue AA-Size
Ord. No. 178282



Spark plug lead with rubber cup
Ord. No. 179242



Air filter 1/8 Dual Intake
Ord. No. 052267

Insert for air filter, Ord. No. 052268



Electric fuel pump 12 V
Ord. No. 177647



Fuel hand pump
Ord. No. 176685



Speed hand pump
Ord. No. 176686



Fuel line gasoline resistant, transparent

Length	Ø mm	Ord. No.
1 m	6	177644
50 m	6	177645



Fuel pipe T-Joiner
Ord. No. 174555



Hose binders
Ord. No. 177535 5 mm, 4 pieces
Ord. No. 177536 6 mm, 4 pieces



Fuel filter, anisized
Ord. No. 179251

3 pieces



Fuel filter small
Ord. No. 179244

Micro sieve for fuel filter, Ord. No. 179247



Patchwork, vehicle decals, model making, handicrafts and much more...

Experience top quality and precision and discover the future of ironing with JAMARA foil irons for your hobby.

High temperature resistant and durable:

Equipped with a durable Teflon coating, our iron defies even the toughest conditions. Even at high temperatures of up to 230°C, the surface remains smooth and resistant.

Precise temperature control:

Whether you are working with modelling foils or a variety of fabrics, our precise digital temperature control allows for sensitive adjustment from 100°C to 220°C. The LCD display (depending on equipment) always provides you with up-to-date temperature information.

Ideal for hard-to-reach areas:

Thanks to its special shape, our foil iron effortlessly reaches even the most nooks and crannies. Perfect for adjusting seams or decorative strips, working on small details and reaching hard-to-reach areas.

Focus on comfort and safety:

An ergonomically shaped handle ensures comfortable handling, while the insulated handle ensures maximum safety when working. The automatic switch-off (depending on equipment) after 6 hours ensures additional safety and energy efficiency.

Versatile accessories included:

Our set includes everything you need for optimum results. In addition to the foil iron, you will also receive a sturdy stand and a protective cover for your work. When used correctly, this prevents or minimises the risk of unsightly pressure marks.

Perfect for modellers and car wrappers:

Whether you want to realise the finest details in your model making or carry out professional wrapping on vehicles, our mini iron is your reliable companion.



DIGI CONTROL IRON

Coated, suitable for all types of iron-on covering foils; LCD-Display; temperatures infinitely variable; its special shape makes it easy to use even for difficult to reach positions.



No. 172130

172130 4 042774 359256

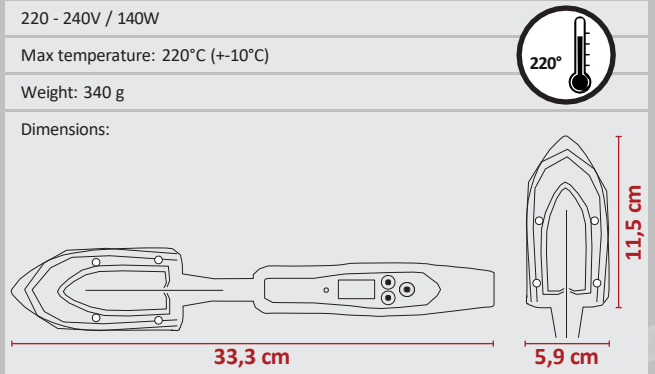
Technical data

220 - 240V / 140W

Max temperature: 220°C (+-10°C)

Weight: 340 g

Dimensions:



Highlights:

- ✓ Teflon coated soleplate
- ✓ Ideal for difficult to reach areas
- ✓ Temperatures infinitely variable
- ✓ Digital LCD-Display
- ✓ Easy to use

Box content:

- Heat sealing iron
- Stand for heat sealing iron
- Sock for heat sealing iron
- Instructions



PRO CONTROL IRON

Coated, suitable for all types of iron-on covering foils; temperatures infinitely variable; its special shape makes it easy to use even for difficult to reach positions.



No.

172140 4 042774 359263

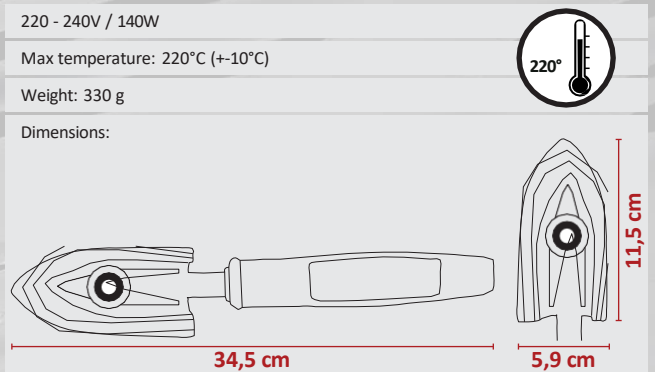
Technical data

220 - 240V / 140W

Max temperature: 220°C (+-10°C)

Weight: 330 g

Dimensions:



Highlights:

- ✓ Teflon coated soleplate
- ✓ Ideal for difficult to reach areas
- ✓ Temperatures infinitely variable
- ✓ Easy to use

Box content:

- Heat sealing iron
- Stand for heat sealing iron
- Sock for heat sealing iron
- Instructions



FUTURE IRON II

Professional foil irons should not be missing in any modeling workshop. The narrow irons are used for crease-free ironing on or covering with modeling film and decorative strips. The handy Future Iron II foil iron has a running sole specially coated with Teflon and is used for processing stretch foil and decorative strips. The temperature control system ensures precise heat and optimal operability. The specially designed shape of the outsole allows you to reach even the most inaccessible places. The handle is ergonomically shaped and suitable for both right-handed and left-handed users.

Temperature control system



No. 172097

172097

4 042774 124113

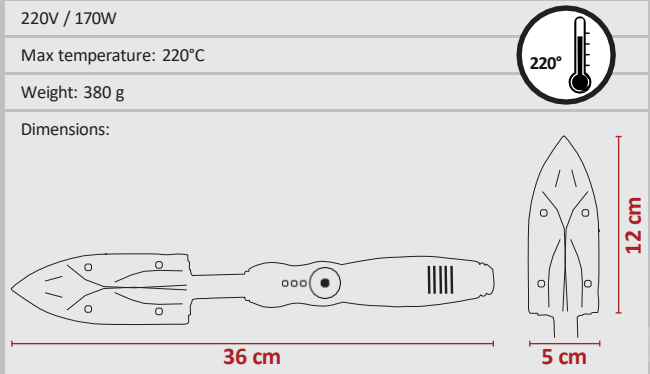
Technical data

220V / 170W

Max temperature: 220°C

Weight: 380 g

Dimensions:



Highlights:

- ✓ Teflon coated soleplate
- ✓ Temperature control system
- ✓ Unique contours
- ✓ Easy to use

Box content:

- Heat sealing iron
- Stand for heat sealing iron
- Instructions



FUTURE IRON III

Coated, suitable for all types of iron-on covering foils; temperatures infinitely variable; its special shape makes it easy to use even for difficult to reach positions.

Temperatures infinitely variable



No. 172145

172145

4 042774 421021

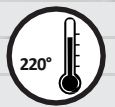
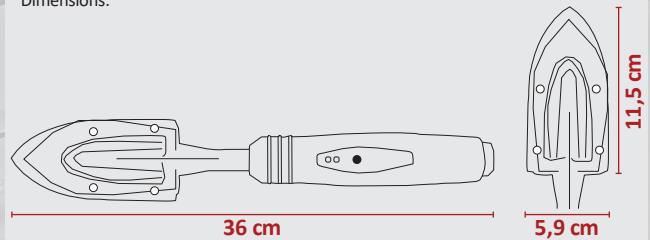
Technical data

220 - 240V / 140W

Max temperature: 220°C (+-10°C)

Weight: 300 g

Dimensions:



Highlights:

- ✓ Teflon coated soleplate
- ✓ Ideal for difficult to reach areas
- ✓ Temperatures infinitely variable
- ✓ Easy to use

Box content:

- Heat sealing iron
- Stand for heat sealing iron
- Sock for heat sealing iron
- Instructions



PRO STAR

The Teflon-coated foil iron is used for processing any type of ironing foil. An infinitely variable temperature control ensures constant heat. The specially developed shape (jaws) allows even the most inaccessible places to be reached.

Temperatures infinitely variable



No. 172104

172104 4 042774 140434

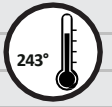
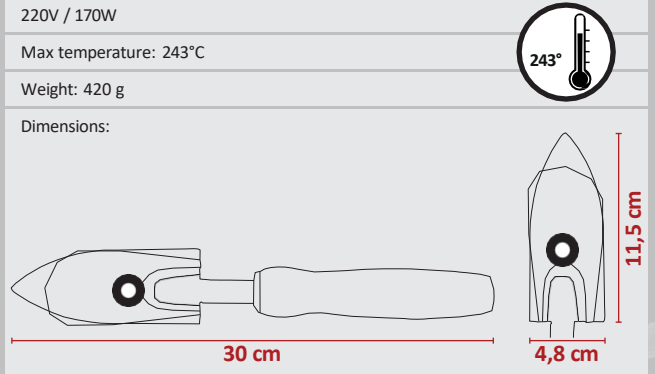
Technical data

220V / 170W

Max temperature: 243°C

Weight: 420 g

Dimensions:



Highlights:

- ✓ Teflon coated soleplate
- ✓ Ideal for difficult to reach areas
- ✓ Temperatures infinitely variable
- ✓ Easy to use

Box content:

- Heat sealing iron
- Stand for heat sealing iron
- Instructions



PRO DECAL

Professional foil irons should not be missing in any modeling workshop. The narrow irons are used for crease-free ironing on or covering with modeling film and decorative strips. The handy Pro Decal foil iron has a soleplate specially coated with Teflon and is used for processing especially for decorative strips. Two adjustable temperatures provide precise heat and optimal operability. The specially designed shape of the outsole allows you to reach even the most inaccessible places. The handle is ergonomically shaped and suitable for both righthanded and left-handed users.

2 temperature settings



Exchangeable soleplates



round

flat

No. 172131

172131 4 042774 444969

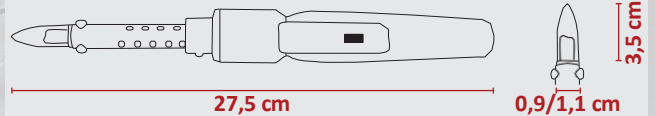
Technical data

220 - 240V

Max temperature: 318°C

Weight: 180 g

Dimensions:



Highlights:

- ✓ Teflon coated soleplate
- ✓ Exchangeable soleplate (round/flat)
- ✓ Ideal for decorative stripes
- ✓ Ideal for difficult to reach areas
- ✓ 2 temperature settings:
HI: 270 - 318° C / LOW: 186 - 215° C

Dimensions sole:

Flat: approx. 9 mm wide, tapering to the front at the rear
Round: approx. 11 mm Ø, tapered at the back towards the front

Box content:

- Heat sealing iron
- 2 exchangeable soleplates (round/flat)
- Stand for heat sealing iron
- Instructions



IRON PRO

No model making workshop should be without professional foil irons. The narrow irons are used for crease-free ironing or covering with model making film. The handy Iron-Pro foil iron has a special Teflon-coated soleplate and can be used for all types of iron-on foil and patchwork work. An infinitely variable temperature control with graphic color LCD display ensures precise heat and optimum operability. The display shows °C and °F as required. The specially developed shape of the soleplate allows you to reach even the most inaccessible places. The handle is ergonomically shaped and suitable for both right-handed and left-handed users and the precisely fitting protection for the soleplate prevents the film from being scratched. A timer switches the iron off if you forget to turn it off.

Temperatures infinitely variable

Digital color LCD-Display



No. 401160

NEW
2025



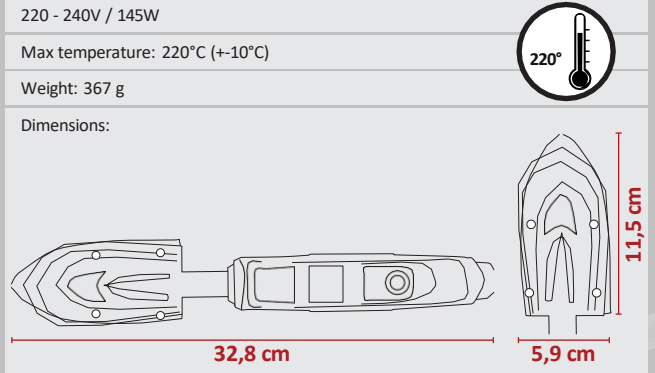
Technical data

220 - 240V / 145W

Max temperature: 220°C (+10°C)

Weight: 367 g

Dimensions:



Highlights:

- ✓ Teflon coated soleplate
- ✓ Ideal for difficult to reach areas
- ✓ Temperatures infinitely variable
- ✓ Digital color LCD-Display
- ✓ Easy to use

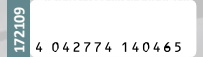
Box content:

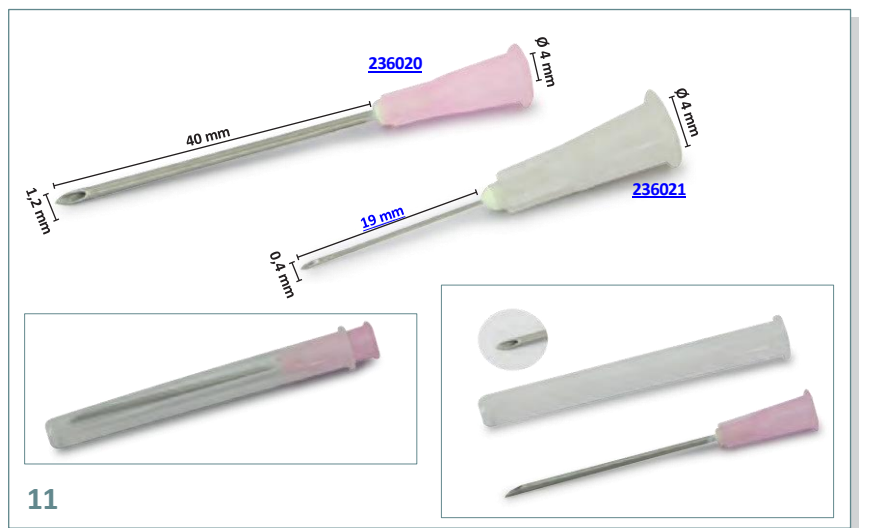
- Heat sealing iron
- Stand for heat sealing iron
- Sock for heat sealing iron
- Instructions



SOCK FOR HEAT SEALING IRON

No. 172109





Follow the hazard warnings!



Powder „Speedy-Combine“

- Ord. No. 171000 40 g
- Ord. No. 171119 200 g XXL
- Ord. No. 170990 80 g

For filling gaps and holes, for stiffening or repairing. Pour the filling powder into the gap or hole and let the super glue drizzled on it cure. The resulting joints are hard and can be sanded, filled, painted and drilled.

JAMARA adhesives „Made in Germany“ and „Made in EU“ are used in many professional and hobby applications. Through close and active cooperation with suppliers and partners we are able to pass on short and flexible production and delivery times to you. Due to our long experience we have been able to continuously develop our products further and to adapt them optimally to different industries and applications.

The Jamara superglue with integrated needle in the screw cap actively prevents the annoying sticking of the superglue during the resealing process. So the glue is immediately ready for use the next time it is opened without having to cut the bottle opening first.

1 Instant adhesive „World champion“

- Ord. No. 236001 20 g, thin
- Ord. No. 236011 20 g, thick
- Ord. No. 236100 20 g, middle
- Ord. No. 236110 20 g, super thin

For flexible bonding of balsa wood, plastic, metal, rubber, etc.

2 Instant adhesive „EVO“ with needle

- Ord. No. 230020 20 g, thin
- Ord. No. 230021 20 g, middle
- Ord. No. 230022 20 g, thick

Easy click cap with built-in closure tip.

Adhesive for porcelain, ceramic, wood, paper. It is not suitable for PP, PE, teflon, polystyrene and synthetic fabrics.

3 Instant adhesive „SKiN“

- Ord. No. 236091 20 g, thin
- Ord. No. 236092 20 g, thick
- Ord. No. 236093 20 g, middle

Cover with needle - Adhesive for different materials like porcelain, ceramic, wood, rubber, plastic, metal, cork and paper. It is not suitable for PP, PE, teflon, polystyrene and synthetic fabrics.

4 Instant adhesive „Extra“ with needle

- Ord. No. 230406 20 g

Adhesive for plastic

5 Instant adhesive „Styro“ odourless

- Ord. No. 230460 20 g

Our Styro adhesive is perfect for montage and repairs. Always use together with Activator Spray Styro, Ord. No. 236095

6 Tyres adhesive „Wheel blood“ with needle

- Ord. No. 230409 20 g, middle

ATTENTION: Only suitable for model making!

7 Tyres adhesive „RF“ with needle

- Ord. No. 230407 20 g, thin

ATTENTION: Only suitable for model making!

8 Adhesive for plastic L-530 TF *Toluene-free*

- Ord. No. 230004 20 g

9 Adhesive „Lexan“

- Ord. No. 230005 20 g

10 Display Instant adhesive „Skin“

- Ord. No. 236014

Contains:

- 4 x Ord. No. 236091 thin
- 4 x Ord. No. 236092 thick
- 4 x Ord. No. 236093 middle

Dimensions:- 250 x 150 mm

11 Dosing cannula for superglue

- Ord. No. 236020 1,2 x 40 mm, 5 pieces
- Ord. No. 236021 0,4 x 19 mm, 5 pieces

Metal cannulas for attaching to common superglue bottles.

The dosing cannulas from JAMARA are indispensable helpers for precise work with superglue. The cannulas fit the most common superglue bottles and allow precise dosing and working even in hard-to-reach places. The attached dispensing needles provide excellent protection against the outlet opening drying out. If the needles become blocked, they can be unblocked by heating. Available in different lengths and diameters.

ACCESSORIES



Screw safeguard

Ord. No. 232423 10 ml, medium strength
Ord. No. 232424 10 ml, high strength

JAMARA's locking varnish is a coloured, non-conductive varnish for marking, sealing, securing and sealing screws, bolts and threads and is used for visual safety marking. It has a fast drying time and is resistant to water, oil, fuel and many other chemicals. The varnish can be applied directly to the area to be secured without thinning. All screws and nuts marked with JAMARA screw lock can be checked easily and quickly with the help of locking varnish. As soon as a screw or nut comes loose, the lacquer breaks and you can quickly determine whether the screw needs to be replaced or retightened.



Epoxy adhesive

	Quantity	Hard in	Ord. No.
Epoxi Rapid	100 g	30 Min.	236063
Epoxi Rapid	200 g	30 Min.	236064
Epoxi Rapid	100 g	5 Min.	236061
Epoxi Rapid	200 g	5 Min.	236060

Epoxy resin and hardener from JAMARA are each filled in plastic bottles 100g; 200g. Epoxi is very easy to use. The tough curing process guarantees high strength when bonding wood, metal and rigid foam. The bonded area does not become glassy and brittle, but remains viscoplastic, can absorb a lot of force and is therefore strong and highly resilient.



Resin & hardener

Ord. No. 236125

60 Min, 500 g, Mixing ratio 100:60



Activator-Spray

Ord. No. 236085 200 ml

Accelerates curing even under unfavorable bonding conditions.

Brief description with advantages:

- Special activator spray for cyanoacrylate adhesives (instant adhesives).
- Colorless
- For instant curing of cyanoacrylate bonding (flash fixing)
- Improves processing conditions even with high film thicknesses and inactive materials



Styro Depron - Activator-Spray

Ord. No. 236095 200 ml

Accelerates curing even under unfavorable bonding conditions.

Brief description with advantages:

- Special styrofoam-friendly activator spray for cyanoacrylate adhesives (instant adhesives).
- Colorless
- For instant curing of cyanoacrylate bonding (flash fixing)
- Improves processing conditions even with high layer thicknesses and inactive materials
- Suitable for styrofoam



JAMARA Clean Air - Air filter oil

Ord. No. 050511 200 ml

Adhere to danger signal!

ACCESSORIES



Fabric Linen
Ord. No. 232510

Weight ~25 g
Dimensions mm ~1050 x 950



Fabric Linen
Ord. No. 232511

Weight ~49 g
Dimensions mm ~1300 x 800



Fabric Linen
Ord. No. 232512

Weight ~80 g
Dimensions mm ~1000 x 1000



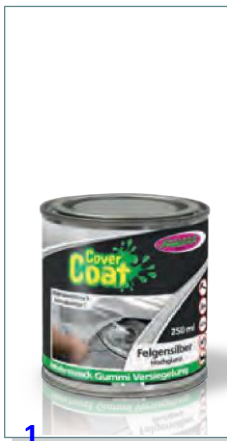
Fabric Köper
Ord. No. 232513

Weight ~163 g
Dimensions mm ~1000 x 1000



Fabric body
Ord. No. 232514

Weight ~280 g
Dimensions mm ~1000 x 1000



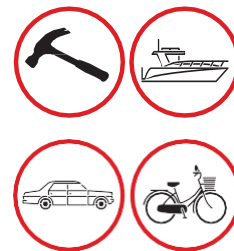
1



2



3



Cover Coat

Cover Coat is a permanently elastic liquid rubber made in EU. Not only for electric isolating purposes but also for optical enhancement or protection of automotive rims, bumpers, grills, body parts etc.. Cover Coat is a ready-made mixture, which can be immediately applied to each part without priming. The coating can be removed without any residue after it is fully dried out.

The tin version can be painted or the part to be isolated or dipped directly in the tin while Cover Coat Spray is suitable for use on large surfaces. With the Cover Coat thinner combined with the Cover Coat tin it is possible to work with professional spray guns. The target group consists of both commercial and industrial as well as private users in the hobby and automobile tuning field.

1. Cover Coat - Tin 250 ml

Ord. No. 231603 silver, high-gloss
Ord. No. 231604 red

2. Cover Coat - Spray 400 ml

Ord. No. 231609 red
Ord. No. 231614 neon orange
Ord. No. 231615 neon green
Ord. No. 231616 neon red
Ord. No. 231617 yellow

3. Cover Coat thinner - Tin 450 ml

Ord. No. 231610

Follow the hazard warnings!

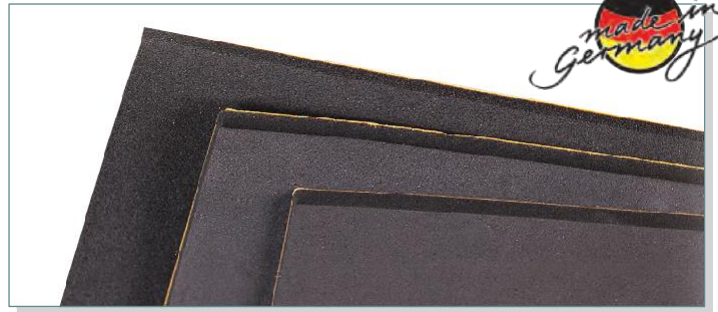
ACCESSORIES



Hinge tape

Ord. No. 179885 transparent 19 mm- 66 m, 1 piece

Plastic hinge tape self-adhesive, elastic and thin. Optimum mounting of the ailerons is made possible by this hinge tape, since the aerodynamically unfavorable gap between the aileron and the wing disappears. The tape is glued to the upper side of the wing, along the entire aileron length. Pressure equalization on the wing via the gap between the ailerons is thus prevented.



Self adhesive rubber sheet

Ord. No. 059850 3 mm ~300 x 200 mm
Ord. No. 059852 5 mm ~300 x 200 mm

The high-quality foam rubber plates in various designs from JAMARA are an indispensable part of the well-equipped model and hobby workshop. The application range of the elastic sheets is extremely versatile. Whether as a sealing or insulating material, as a hobby accessory or simply as a non-slip base, the vibration-reducing foam is soft, smooth, water-repellent and at the same time very non-slip. All JAMARA sponge rubber sheets are self-adhesive on one side, can be easily cut into shape with scissors or a knife and offer excellent properties in terms of softness, elasticity, surface, shaping and durability. The sponge rubber pads are available in various sizes, ideal for industry and model making.

Carbon tube

Ord. No.	Dimensions (mm)	Dimensions (inch)	Wall thickness (mm)
230107	3,0 x 2,0	0,118 x 0,079	0,50
230064	8,0 x 6,0	0,315 x 0,236	1,00

Carbon rod

Ord. No.	Dimensions (mm)	Dimensions (inch)
230048	1,0	0,039
230041	3,0	0,118
230043	5,0	0,197



Length 1000 mm



Crimping pliers

Ord. No. 194003

The proven Jamara crimping pliers could be improved again. In this version, it now allows you to crimp cable lugs, crimp connectors, uninsulated crimp contacts and D-Sub contacts in the range AWG10-28 or cable cross-sections of 2.58 - 0.32 mm. The lower part of the pliers is equipped with a cutter which allows to strip or cut various cables directly with the pliers. The integrated tension spring makes the pliers self-opening, which makes the crimping process much faster and easier. The handles are now ergonomically adapted to the palms and suitable for both left and right-handed users. With the integrated locking device, the pliers can be locked in the closed position, which significantly frees up space in the pliers drawer.

Length- 190 mm



Z-pliers for wire

Ord. No. 194019

An indispensable tool for the model shop is the Z-pliers from JAMARA. With this Z-pliers you bend steel wire from 0.8 to 1.8mm without any problems. This way you get a precisely fitting Z-fold (approx. 4mm) for e.g. servo arms or rudder horns. With the rubberized handles, the pliers lie securely in the hand when working.

Length- 220 mm

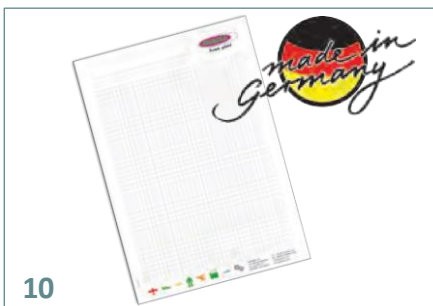
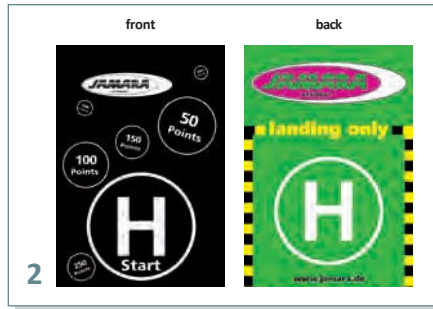
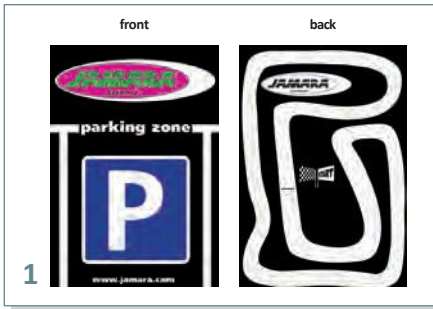


Lexan scissors with curved nose

Ord. No. 281730

Specially designed for cutting ABS and Lexan parts such as car bodies, canopies and boat hulls. Wheel cutouts and other curves can be machined much more effortlessly with the curved cutting surface.

Max. Cutting length- 20 mm
Length- 140 mm



1 JAMARA velour mat

Ord. No. 180503 Car
Dimensions: 1500 x 1000 mm

2 JAMARA velour mat

Ord. No. 180501 Helicopter
Dimensions: 1500 x 1000 mm

3 JAMARA Doormat

Ord. No. 180502
Dimensions: 400 x 600 mm

4 JAMARA Pen

Ord. No. 180016

Notepad A5

Ord. No. 180240

Notepad sticky

Ord. No. 180182

Dimensions: 72 x 73 mm

5 Bag

Ord. No. 181109 Polyethylen, 600 x 450 mm
Ord. No. 181115 Polyethylen, 400 x 240 mm

6 Lanyard

Ord. No. 188858

7 Baseball cap JAMARA

Ord. No. 185697

8 Jacket JAMARA cotton

black
Ord. No. 181261 S
Ord. No. 181262 M
Ord. No. 181264 XL
Ord. No. 181265 XXL

9 Jacket JAMARA 3in1

for Men - black/grey
Ord. No. 181271 S
Ord. No. 181272 M
Ord. No. 181276 3XL
Ord. No. 181277 4XL

for women - black/grey
Ord. No. 181279 M

10 Notepad A4

Ord. No. 180248

11 Sweat Jacket JAMARA

for women - black
Ord. No. 181290 XS

for Men - black
Ord. No. 181291 S
Ord. No. 181292 M
Ord. No. 181293 L
Ord. No. 181294 XL
Ord. No. 181295 XXL

EXPLANATION OF SYMBOLS

SAFETY INSTRUCTIONS

HAZARD WARNINGS

 <p>BAUZEIT ASSEMBLING ~5 MIN</p> <p>Average construction time</p>	 <p>FAHRZEIT RUNNING TIME ~5 MIN</p> <p>Average driving time Flight time</p>	 <p>LADEZEIT CHARGING TIME ~5 MIN</p> <p>Average charging duration</p>	 <p>USB LADEZEIT CHARGING TIME ~30-40 MIN</p> <p>Average charging duration via USB</p>	 <p>Directly recharge by transmitter</p>	 <p>GANG-SCHALTUNG GEAR SHIFT 1 3 5 2 4 R</p> <p>Gear-shift/Automatic</p>	 <p>OFFIZIELL LIZENZIERT OFFICIALLY LICENSED</p> <p>Officially licensed</p>	 <p>KETTE TRACK</p> <p>Crawler or chain drive</p>
 <p>OUTDOOR</p> <p>Only for outdoor use</p>	 <p>INFRAROT INFRARED</p> <p>Controlled via infrared</p>	 <p>2,4 GHz</p> <p>Controlled via 2.4 GHz</p>	 <p>KANAL CHANNEL 2</p> <p>Number of channels</p>	 <p>9 FUNKTIONEN FUNCTIONS</p> <p>Number of functions</p>	 <p>LED</p> <p>With LED light</p>	 <p>LED light can be switched on/off</p>	 <p>1:10</p> <p>Scale</p>
 <p>SOLAR</p> <p>Power generation by solar cell</p>	 <p>Safety Shutdown</p>	 <p>4 WD</p> <p>4-Wheel Drive</p>	 <p>SOUND</p> <p>German siren</p>	 <p>SOUND</p> <p>With sound or music</p>	 <p>LINE IN</p> <p>Analog audio line</p>	 <p>360° FLIP</p> <p>360° Flip possible</p>	 <p>GYRO INSIDE</p> <p>Automatic Gyroscopic tail stabilisation</p>
 <p>TONSPUR NAHME AUDIO RECORDING</p> <p>Sound recording and playing</p>	 <p>SIGNALLEUCHE SIGNAL LIGHT</p> <p>Signal light</p>	 <p>PHOTO VIDEO</p> <p>Camera with video and photo function</p>	 <p>60g NUTZLAST PAYLOAD</p> <p>Max. Payload for ad. devices</p>	 <p>FREI FAHREND FREE DRIVE</p> <p>Self driven</p>	 <p>FREI FLIEGEND FREE FLY</p> <p>Self flying not RC</p>	 <p>KIT</p> <p>Assembly kit</p>	 <p>RTF</p> <p>Ready to fly</p>
 <p>RTR</p> <p>Ready to run</p>	 <p>45 km/h</p> <p>Max. achievable speed</p>	 <p>Li-Ion</p> <p>With Lithium-Ionen battery</p>	 <p>Li-PO</p> <p>With Lithium-Polymer battery</p>	 <p>INDOOR</p> <p>Only for indoor use</p>	 <p>TURBO</p> <p>Switchable speed modus</p>	 <p>DIE CAST METAL BODY</p> <p>Die Cast</p>	 <p>Electric drive</p>
 <p>SET BRUSHLESS</p> <p>Electric brushless drive system</p>	 <p>WATER PROOF</p> <p>Splash proof</p>	 <p>6 Axis GYRO</p> <p>Self stab. 6 Axis gyro flight attitude adjustm.</p>	 <p>3D</p> <p>3D capable, including inverted flight</p>	 <p>3D</p> <p>3D capable, including inverted flight</p>	 <p>WiFi</p> <p>Control/transfer on smartphone/tablet</p>	 <p>WiFi FPV</p> <p>Live Image transm. and steering in FPV mode</p>	 <p>Drive by pedaling</p>
 <p>Packaging unit</p>	 <p>QR code for more information</p>	 <p>25 max. kg</p> <p>Max. weight</p>	 <p>kg</p> <p>Product weight</p>	 <p>NEW 2025</p> <p>News 2025</p>	 <p>VIDEO</p> <p>To the YouTube video</p>		



An app for the product is now available for Android on Google Play.



An app for the product is now available for iOS in the AppStore.



Electronic direction control - Headless

The model is able to keep the desired flight direction even if turning around it's own axis.



Easy Back Funktion

Automatic orientation mode incl. flyback function. The model can keep the programmed flight direction even if turning around it's own axis and by pressing the appropriate button flies back to you.



FPV = First Person View

The model shows the live camera image during the flight or drive directly on an LCD screen on the transmitter. The pilot has a visual perspective just as if he himself sitting in the model.



Altitude Hold Adjustment - Altitude

Altitude Hold Adjustment is a function that allows the model to maintain the predetermined altitude based on the measured air pressure by a barometer (or altimeter). The barometer measures on the basis of changes in air pressure, the height differences of the model and compensates automatically and unnoticeable. When activating the „Altitude Hold Adjustment mode“ during the flight the model maintains the set height.



GPS module to determine the exact position of the model. Depending on the equipment, with GPS you can perform autonomous flights, patrol waypoints, automatic circling or precise hovering.



Coming Home

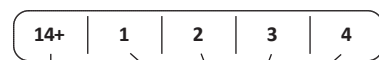
Supported by GPS the model automatically flies back to the starting point.



Track following - Flight pivot mode.

Paint with your finger a trajectory that your model will search for automatically.

Explanation



age / years

No. of safety instructions

No. Safety instructions

1. WARNING - It's not a toy
2. WARNING - Use under the direct supervision of adults.
3. WARNING - Only for domestic use.
4.  WARNING - Not suitable for children under 36 months. Contains small parts. Danger of suffocation. Keep away necessarily from children.
5. Only use in shallow water under the supervision of adults.
6. WARNING - Do not aim at eyes or face.
7. WARNING - Not suitable for children under 18 months. Long cable/rope. Risk of strangulation.
8. In some countries you need a model aircraft flying holder liability insurance for model planes.
9. Includes lithium battery. Pay attention to instructions.
10. Do not use on public transport surfaces and roads.
11. Risk of accident and injury.
12. This toy has no brakes.
13. Due to its top speed this toy is not suitable for children under 3 years.
14. WARNING
Aircraft models are aircraft and are therefore subject to aviation regulations. It is essential that you inform yourself about the laws and regulations applicable in your country before operating. Model flying is visual flying. Flight models may only be flown if the PILOT himself sees the model. The model may only be flown within sight of the pilot.
- In some countries it is allowed to control the model with FPV (e. g. video glasses) under certain conditions.
- In some countries (e. g. Germany) a model aircraft owner's liability insurance is required for the operation of flight models.
15. There is a risk of accident and injury due to the roller sports equipment. We recommend that the child is supervised during use.
16. WARNING - The product is a toy with plastic hair. The use of real hairstyling accessories that generate heat (hairdryer, straightener, curling iron, etc.) will cause serious damage to the product and may cause injury.
17. The scooter is not a sports device for jumps and stunts. The scooter can be damaged or break during such activities.
18. Helmet for cyclists and users of skateboards and roller skates.
19. WARNING - This helmet should not be used by children while climbing or other activities where there is a risk of strangulation / entanglement if the child becomes entangled with the helmet.
20. At very cold temperatures, the material can become brittle and break during use. Therefore, do not use the scooter in sub-zero temperatures.
21. Check swing seat, ropes and other accessories for signs of wear.
22. Do not expose the swing to extreme weather conditions (e.g. frost).
23. Toys can become dangerous if not checked (e.g. ropes break).
24. The packaging is not a toy and must be removed before use.
25. This remote-controlled model is not a toy!
26. To be used with protective equipment.
27. This toy contains non-replaceable batteries!
28. There is a risk of accident and injury due to the roller sports equipment.
29. We recommend that the child is supervised during use.
30. Make sure that the swing is correctly attached to a stable support, which is placed on a flat surface.
31. The product must not be placed over concrete, asphalt or other hard surfaces.
32. The product must be placed at least 2m from fences, garages, houses and other obstacles.
33. Place the product so that the child plays with his or her back to the sun.
34. Regular inspection and toy maintenance.
35. Remove the hanging label before giving the toy to your child and keep it for future reference.
36. Product must be connected by an adult.
37. Water pressure must not be set too high to prevent injuries (especially eye injuries).
38. Please keep packaging for future reference.
39. If this product is placed under a window, it may act as a step for the child and cause the child to fall out of the window.
40. Make sure that the product is not placed near open fires or other sources of intense heat.
41. DO NOT place the product near a window where the cords of blinds or curtains can strangle a child.
42. The product must be placed on a straight surface.
43. The packaging is not a toy.
44. Assembly may only be carried out by adults.
45. Keep your child away during assembly.
46. Indoor- Outdoor suitable.
47. Read the instructions carefully before using the product and keep them for future reference.
48. Do not expose the product to excessive sunlight, heat, frost or similar.
49. WARNING - Use under the direct supervision of adults. Risk of injury. Keep out of the reach of small children.
50. Make sure that your child can sit independently.
51. WARNING - This model is not intended to be used by persons (including children) with reduced physical, sensory or mental capabilities, or lack of experience and/or knowledge, unless they have been given supervision concerning use of the appliance by a person responsible for their safety.
52. Not permitted for motor vehicles.
53. WARNING - Not suitable for children under 3 years. Long cable/rope. Risk of strangulation.
54. Potty may only be used individually.
55. Use only on a flat surface, do not move while the child is using the potty.

GHS01



Explosive

GHS02



Corrosive

GHS03

Extremely flammable and
Highly flammable

GHS05

Dangerous for the
environment

GHS06



Oxidising

GHS07



Toxic and Very toxic

GHS08



Harmful

GHS09



Irritant

The following are the hazards for the respective substances.
Please pay attention to the dangers and safety notes on the substance and/ or product label.

ATTENTION! Adhesives, varnishes, etc. should be kept away from children.

Ord.No.	Coding	Hazard statements
050511	GHS02	Extremely flammable aerosol. Pressurised container: May burst if heated.
230004	GHS02, GHS07	Highly flammable liquid and vapour. Causes serious eye irritation. May cause drowsiness or dizziness.
230005	GHS02, GHS07	Highly flammable liquid and vapour. Causes serious eye irritation. May cause drowsiness or dizziness.
230020		
230021	GHS07	Causes skin irritation. Causes serious eye irritation. May cause respiratory irritation.
230022		
230406	GHS07	Causes skin irritation. Causes serious eye irritation. May cause respiratory irritation.
230407	GHS07	Causes skin irritation. Causes serious eye irritation. May cause respiratory irritation.
230409	GHS07	Causes skin irritation. Causes serious eye irritation. May cause respiratory irritation.
230460	---	Cyanacrylate. Danger! Will bond skin and eyelids within seconds.
231600		
231601	GHS02, GHS07	Harmful to aquatic life with long lasting effects. Highly flammable liquid and vapour. May cause drowsiness or dizziness.
231603		
231604		
231608	GHS07	Extremely flammable aerosol. Pressurised container: May burst if heated. Harmful to aquatic life with long lasting effects.
231609		
231610	GHS02, GHS07, GHS08	May be fatal if swallowed and enters airways. Flammable liquid and vapour. May cause drowsiness or dizziness.
231614		
231615	GHS07	Extremely flammable aerosol. Pressurised container: May burst if heated. Harmful to aquatic life with long lasting effects.
231616		
231617		
232423	--	---
232424		
236001		
236011	GHS07	Causes skin irritation. Causes serious eye irritation. May cause respiratory irritation.
236100		
236110		
236060	GHS07, GHS09	Causes skin irritation. May cause an allergic skin reaction. May cause an allergic skin reaction. Toxic to aquatic life with long lasting effects.
236061	GHS07, GHS05	Causes severe skin burns and eye damage. May cause an allergic skin reaction.
236063	GHS07, GHS09	Causes skin irritation. May cause an allergic skin reaction. May cause an allergic skin reaction. Toxic to aquatic life with long lasting effects.
236064	GHS07, GHS05	Causes severe skin burns and eye damage. May cause an allergic skin reaction.
236085	GHS02, GHS07, GHS09	Extremely flammable aerosol. Pressurised container: May burst if heated. Causes skin irritation. May cause drowsiness or dizziness. Toxic to aquatic life with long lasting effects.
236095	GHS02, GHS07	Extremely flammable aerosol. Pressurised container: May burst if heated. Causes serious eye irritation. May cause drowsiness or dizziness.
236091		
236092	GHS07	Causes skin irritation. Causes serious eye irritation. May cause respiratory irritation.
236093		
236125	GHS07, GHS09 GHS08, GHS05	Suspected of damaging fertility. Suspected of damaging the unborn child. Causes severe skin burns and eye damage. Causes serious eye damage. Causes serious eye damage. May cause an allergic skin reaction.